

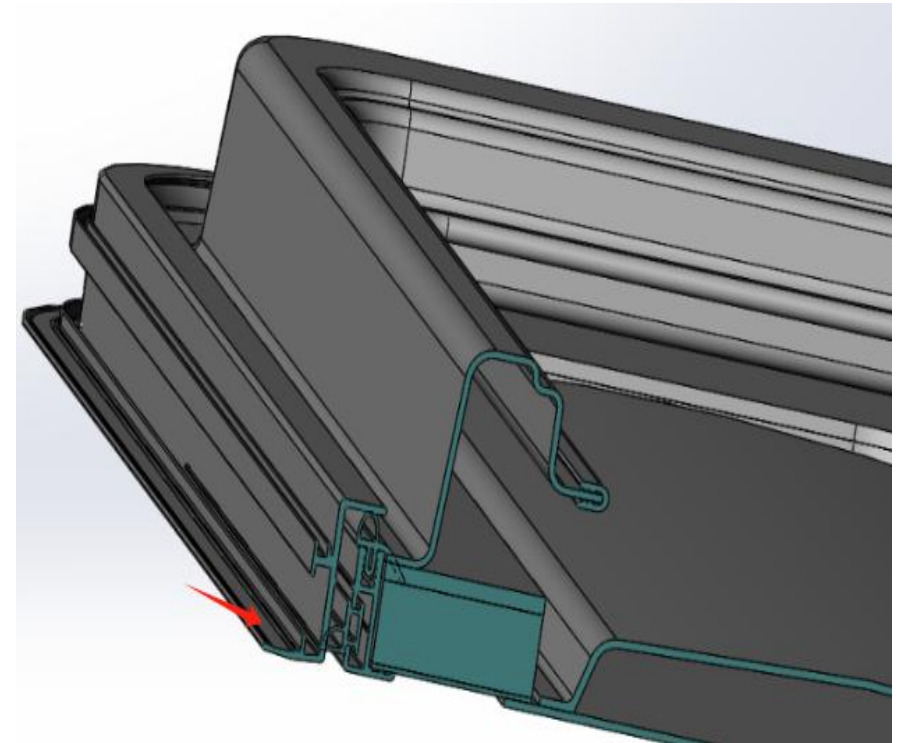
# YA-MD-03 Caravan Door Installation Manual

Step 1: Drill 12pcs  $\varnothing 3.2$  holes in the installation slot of the door frame back.

- Two sides: 8pcs holes (4pcs each side, uniform)
- Top: 2pcs holes
- Bottom: 2pcs holes



Step 2: Apply sealant evenly along the groove on the inner side of the door frame back.



Step 3: Incline the door sideways into the hole of the vehicle body.



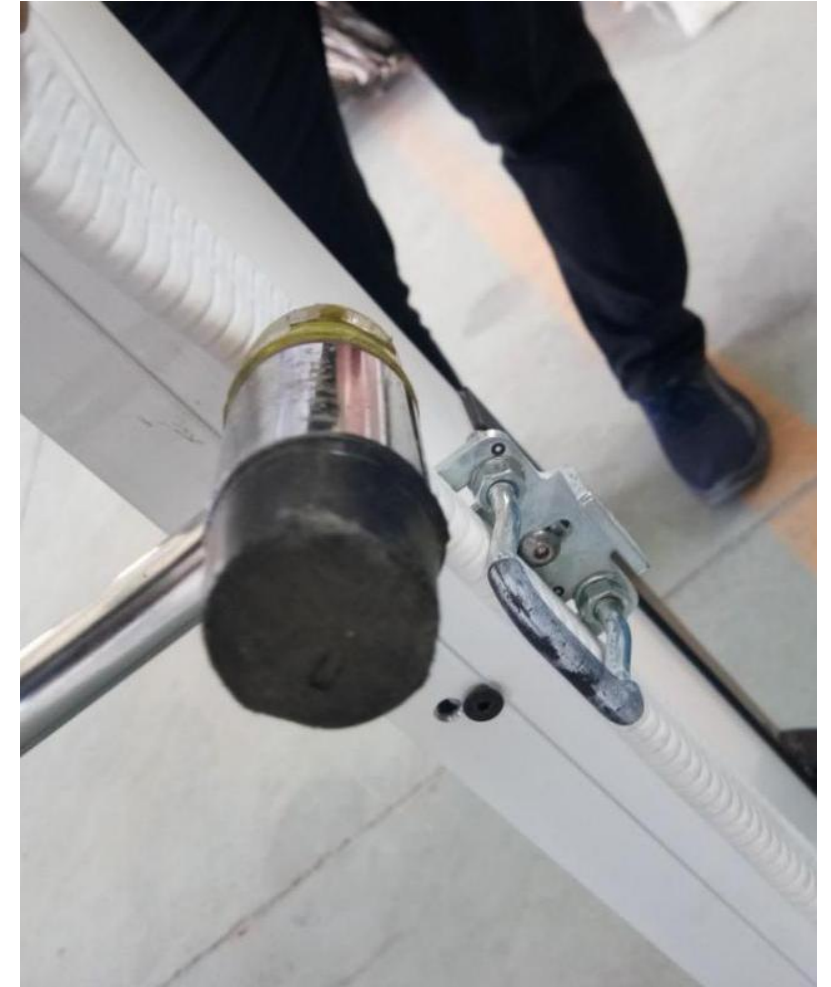
Step 4: Fix the door to the vehicle body using screws and mounting clips.



Step 5: Drill holes at the hinge position and screw the hinge with 4x35 stainless steel countersunk head self tapping screws.



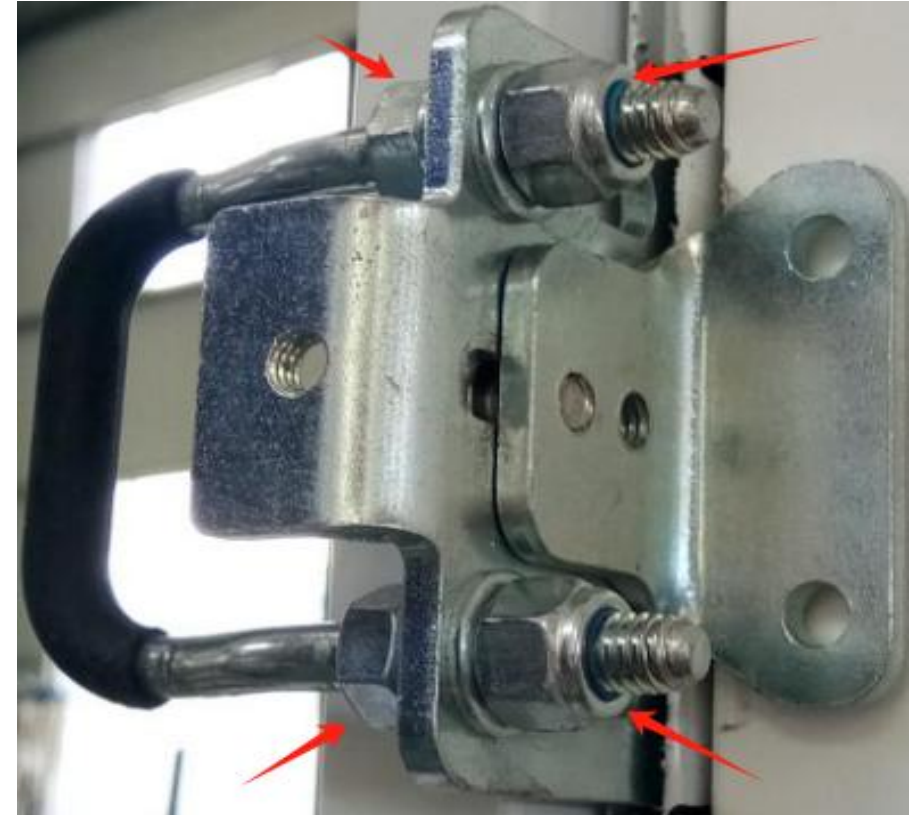
Step 6: Install decorative rubber for door frame.



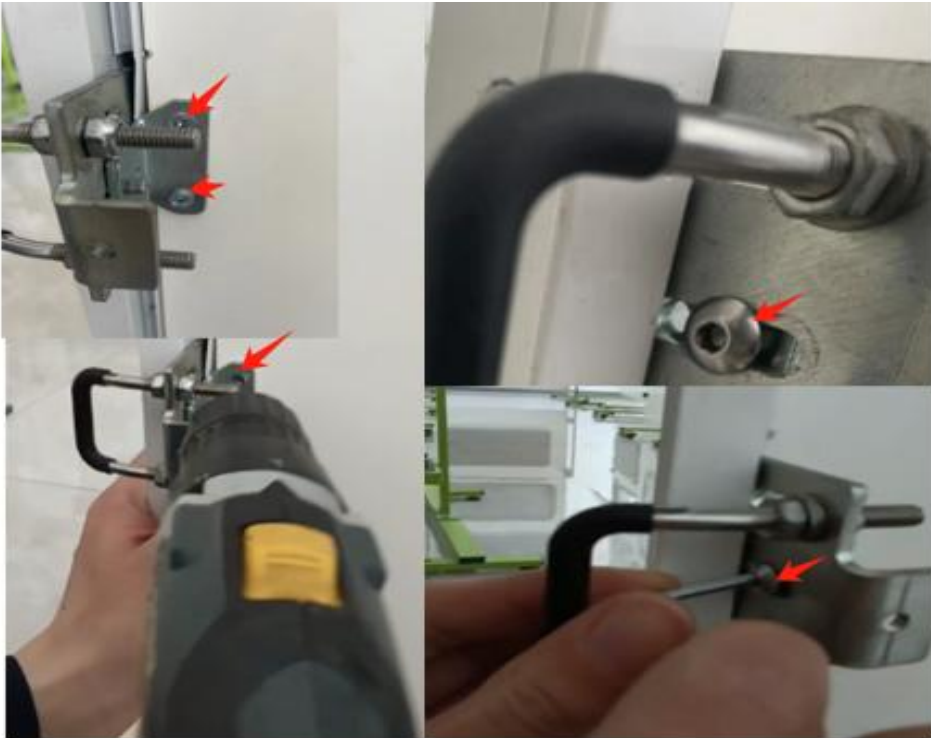
Step 7: Use scissors to cut off the interfering part at the locking hook position.



Step 8: Adjusting the locking hook: Loosen the screw with a fork wrench, control the opening and closing force and the gap of the door leaf by moving the locking hook forward, backward, up, and down.



Step 9: Drill holes on the vehicle body based on the holes of the locking hook fixing plate, fix the locking hook fixing plate to the vehicle body with 4x16 self tapping screws, and tighten the locking hook fixing plate with a hex wrench.



Step 10: Fixing block tightly against the door frame, drill holes on the vehicle body based on the fixing block hole, and screw fixing block with 4x16 self tapping screws.

Fixing block:

- Two sides: 8pcs (4pcs each side, uniform)
- Top: 2pcs



Step 11: Install screen door: Align the fixing block and the mounting slot of screen door, use a rubber hammer to tap the screen door into the mounting slot.



Step 12: Drill holes on the vehicle body based on the installation holes in the lower beam (aluminum alloy) groove of the screen door, and fix it with 4x16 self tapping screws.

