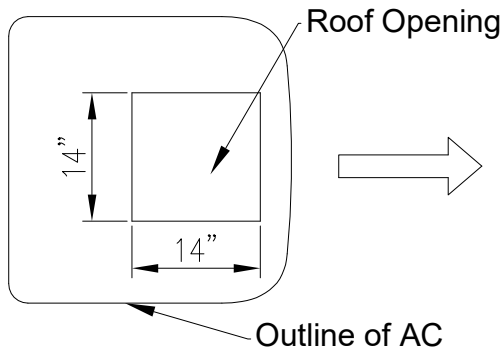
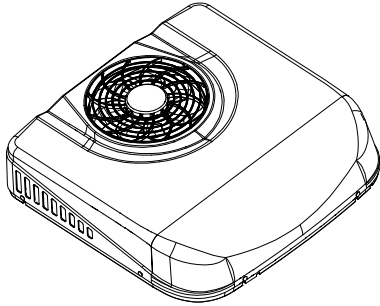


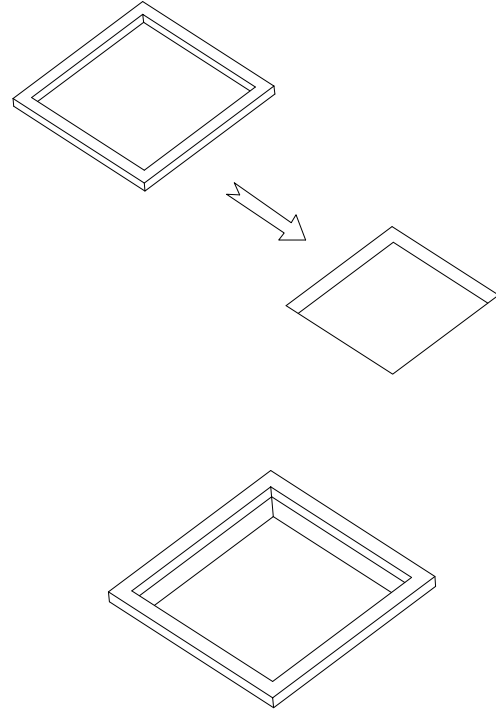
User Instruction

DC RV AIR CONDITIONER

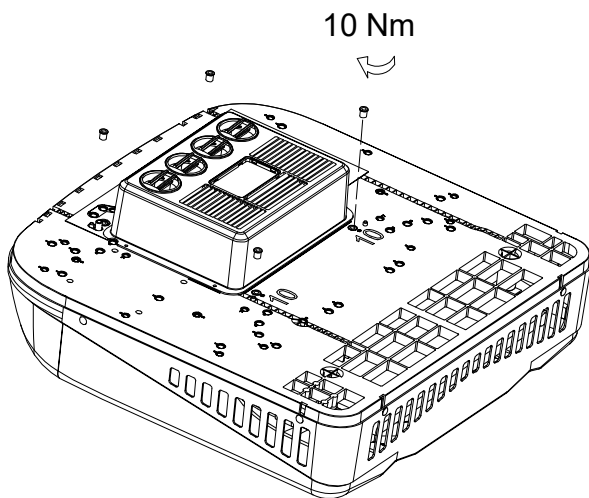
1. Open the hole in the ceiling (14" ×14") (You can also use the existing 360*360mm or 400*400mm opening)



2. Paste the gasket along the roof opening

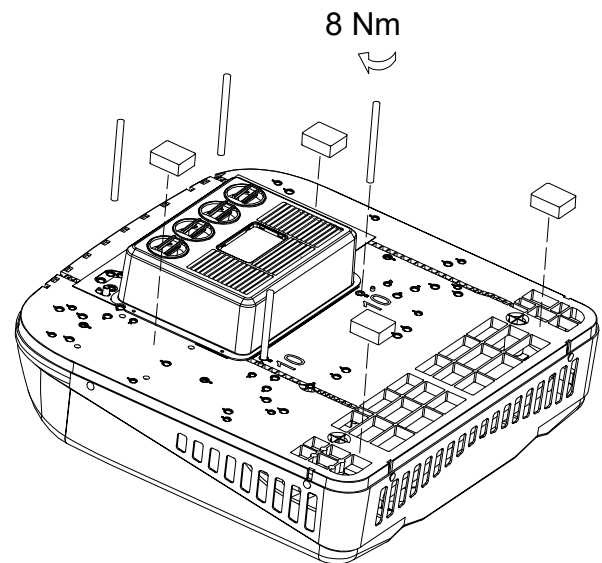


3. Screw the 4 pcs M8 self-tapping threaded plugs to the basepan



The holes Marked "10"

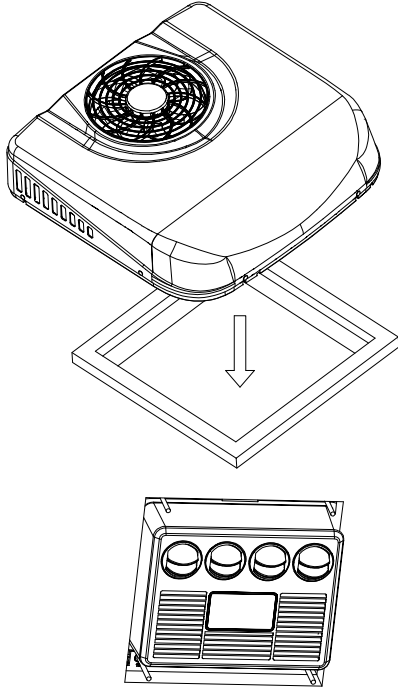
4. Screw the 4 pcs M8 bolts to the threaded plugs; Paste the small gaskets to the basepan



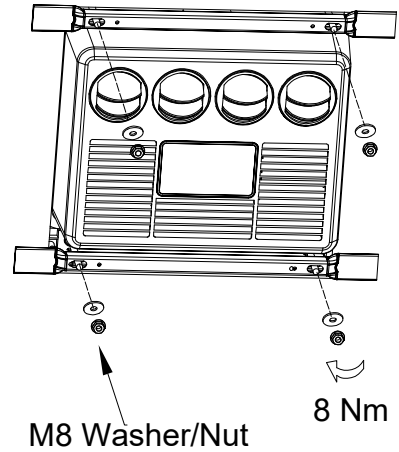
User Instruction

DC RV AIR CONDITIONER

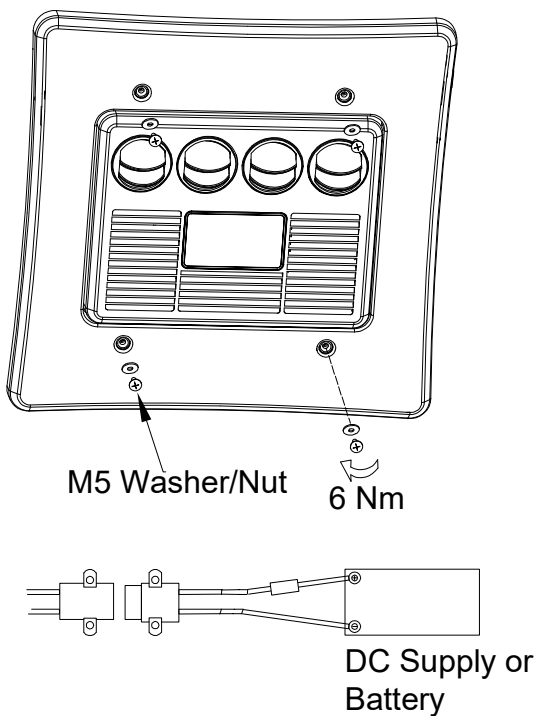
5. Place the AC unit in the roof
(Make sure the air distribution box in the middle of the opening)



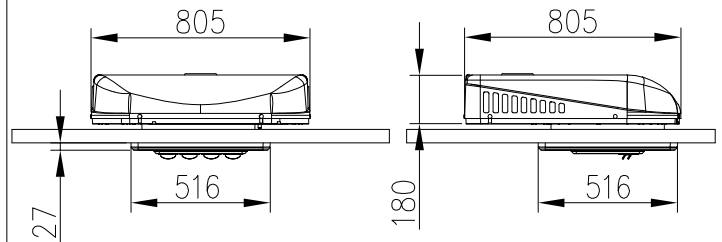
6. Securing the Unit to the brackets



7. Install the cover frame and connect the power cable



8. Technical Data



Voltage	DC 12V	DC 24V
Current	10-70A	10-45A
Cooling Capacity	2350W	2900W
	8000BTU/h	10000BTU/h
Dimension	805×805×180mm	
	31.6×31.6×7.1"	
Weight	27 Kg / 60Lb	